

**Infrared Emitting Diode(GaAs) KEL1002A**

**Description**

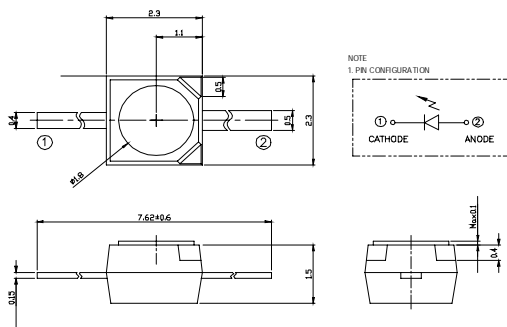
The KEL1002A, high-power GaAs IRED mounted in a clear flat package, is compact, wide radiant angle, and easy to mount.



**Features**

- High power
- Top view & Small package
- RoHS Compliance
- Wide radiant angle

**Outline Dimensions**



[ Unit : mm ]

**Application**

- Vending machine
- Optical switches
- Optical emitters

**Characteristics**

[Ta= 25°C ]

Description	Symbol	Condition	Min.	Typ.	Max.	Unit
Forward Current	$I_F$		-	50	-	mA
Reverse Voltage	$V_R$		-	5	-	V
Power Dissipation	$P_D$		-	100	-	mW
Radiant intensity	$P_O$	$I_F=20mA$	-	0.7	-	mW/sr
Forward Voltage	$V_F$	$I_F=20mA$	-	1.2	2.0	V
Peak Wavelength	$\lambda_p$	$I_F=20mA$	-	940	-	nm
Half Angle	$\Delta\theta$		-	± 55	-	deg.